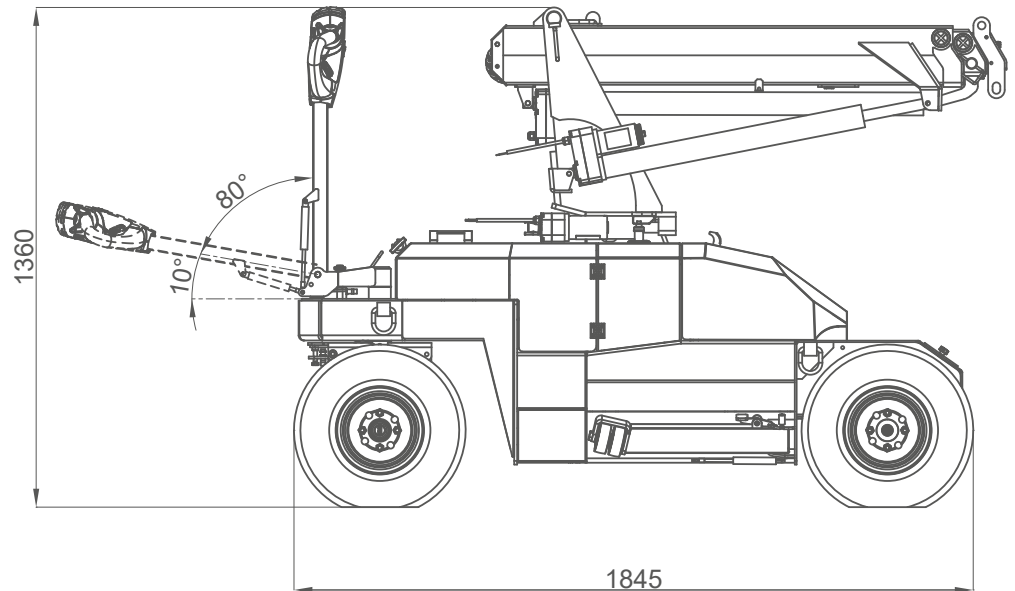
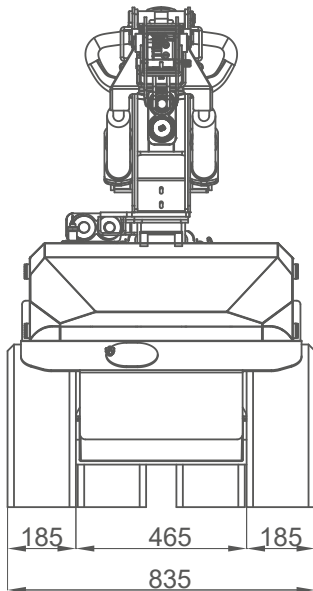
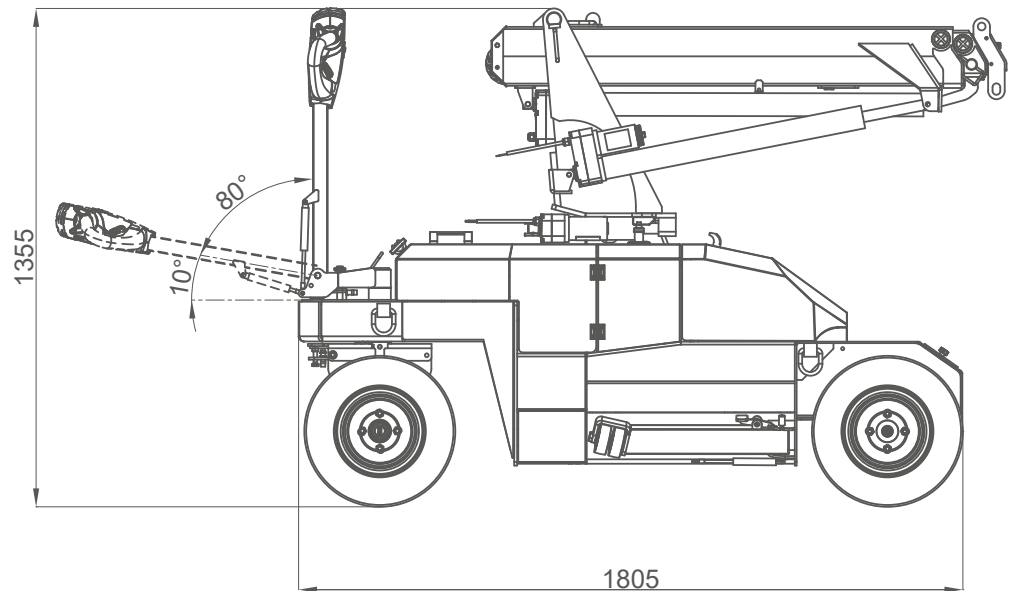
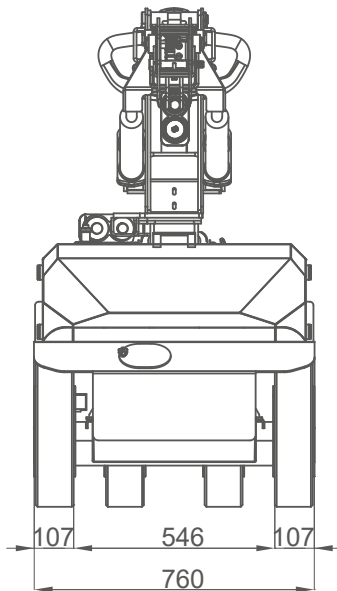


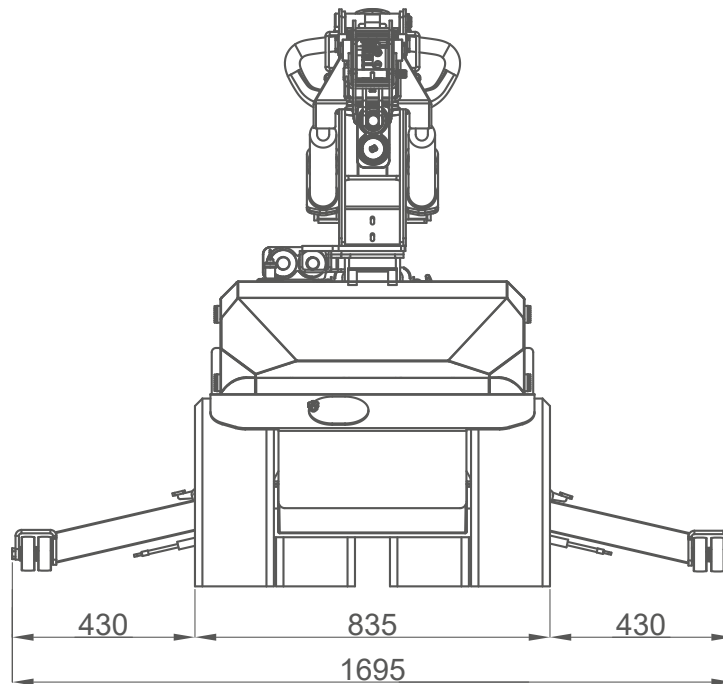
OVERALL DIMENSIONS MPK06 OUTDOOR WHEELS



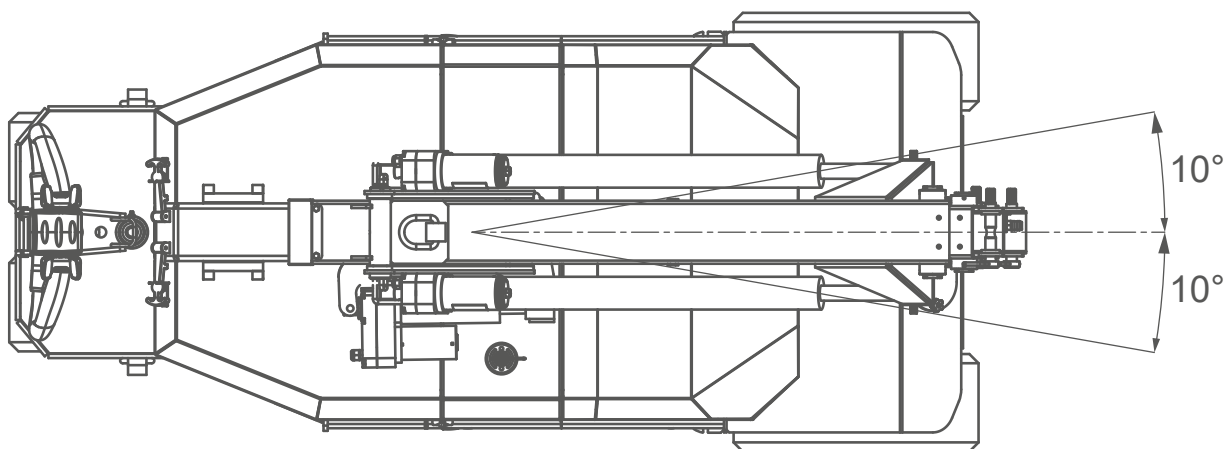
INDOOR WHEELS





OVERALL DIMENSIONS
MPK06
OUTRIGGER ON SIDE











BOOM SWING



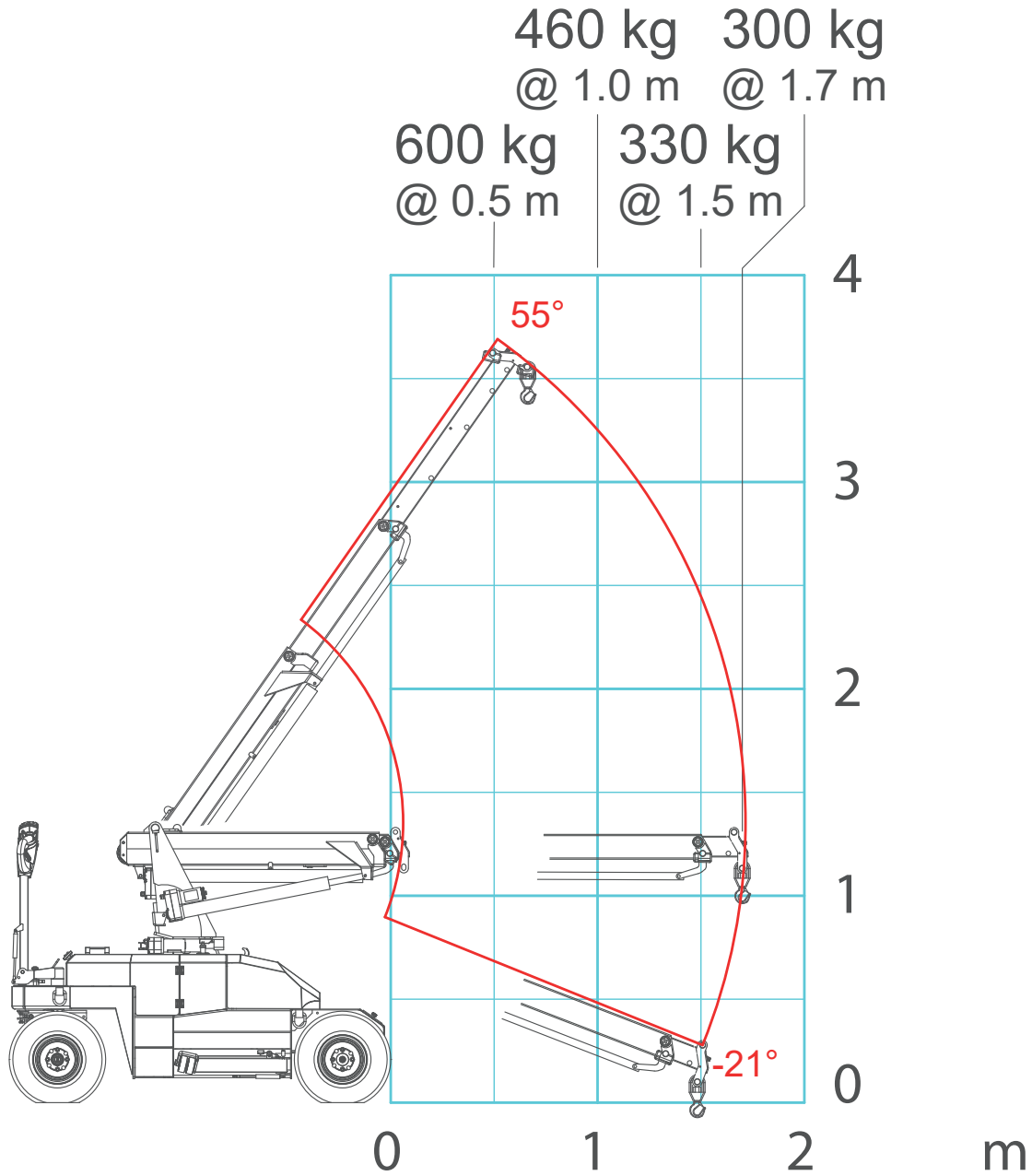
OVERALL INFORMATION

WEIGHTS		Name/ version	kg	
		Minipicker	MPK06	815
		Counterweight	CW1 (into frame)	145
			CW2 (into hood)	40
	Glass Manipulator	JVM06	70	

ELECTRIC		Battery	2x 12V 155Ah		
	kW	Power	24V DC 3,0kW 4HP		
MOVEMENTS		Travel Speed	km/h	3,6	
		Gradeability*	13° (23%)		
		Back Wheel Load	kg/cm ²	0,6	
					Front Wheel Load
		Working Angle	-21° / 55°		
			s	40	
		Slewing	-10° / 10°		
s			1,6		
	Boom Telescoping	m	1,2 - 2,8		
		s	37		

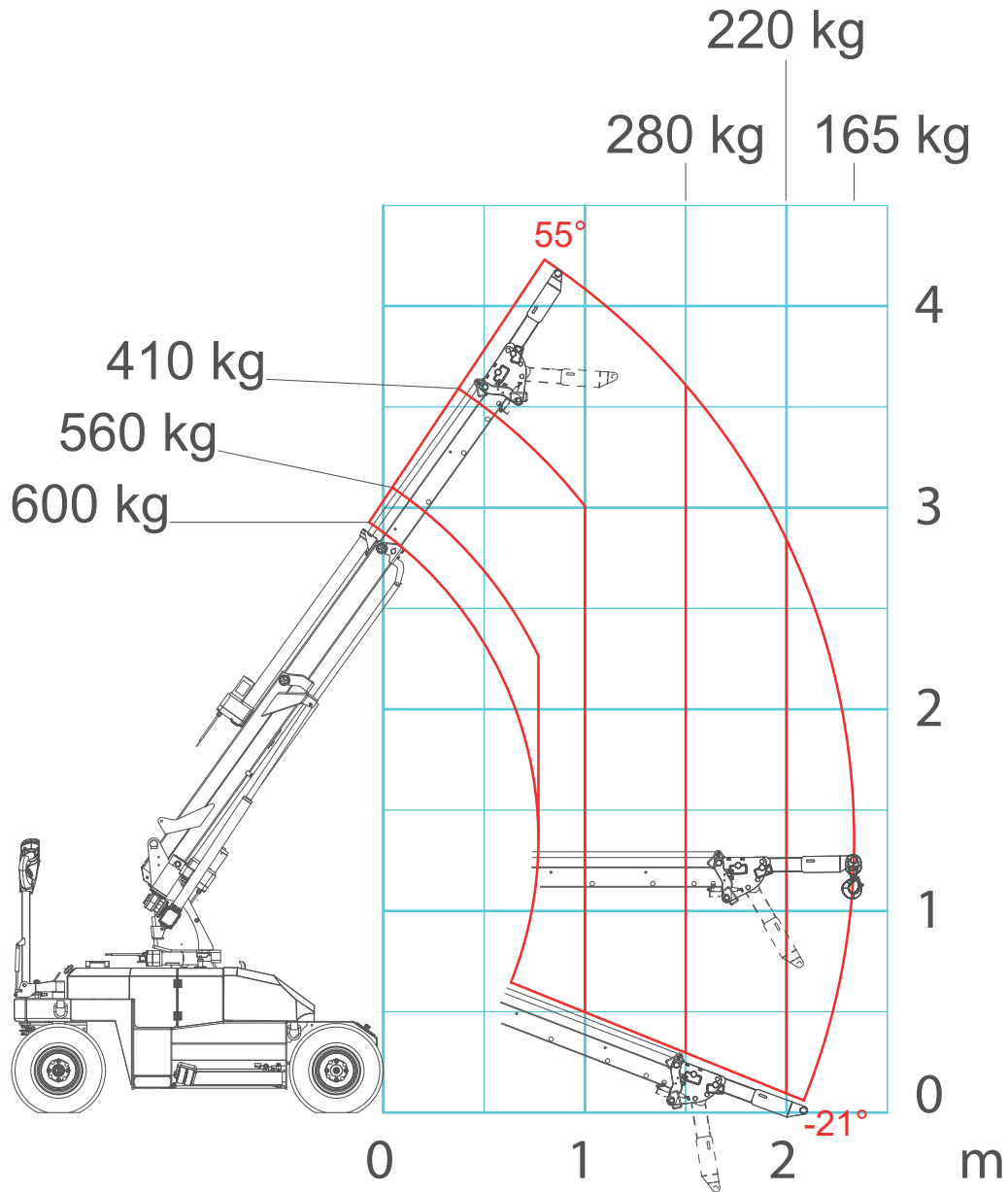
MPK06 - MAIN BOOM

with HOOK

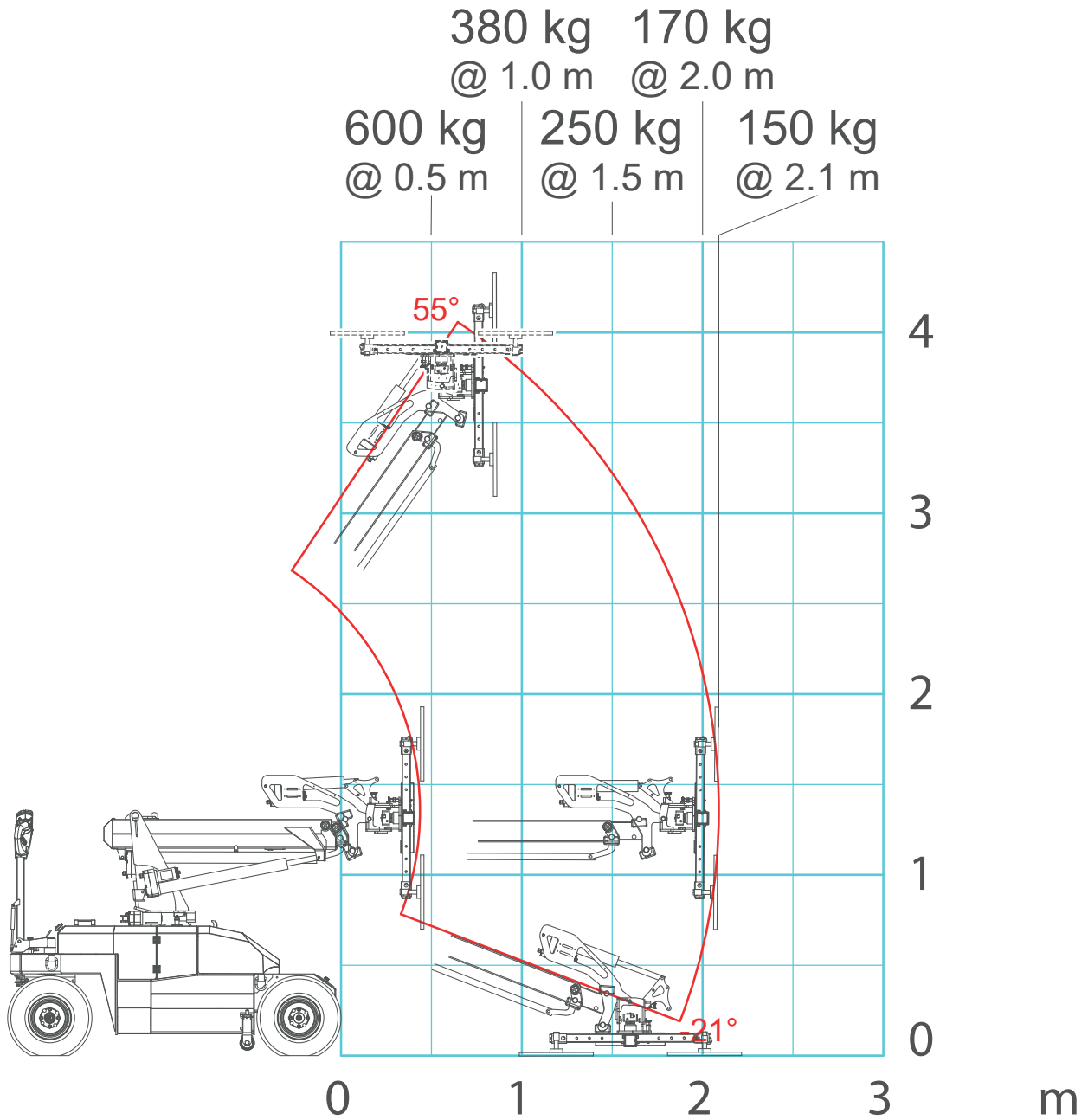


MPK06 - JIBMPK06

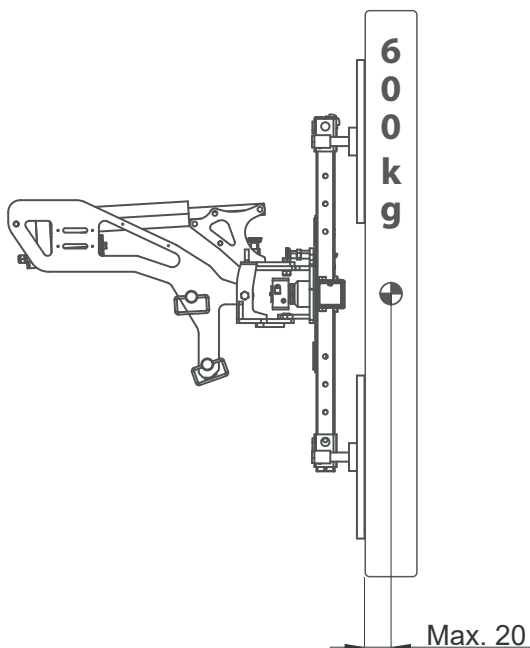
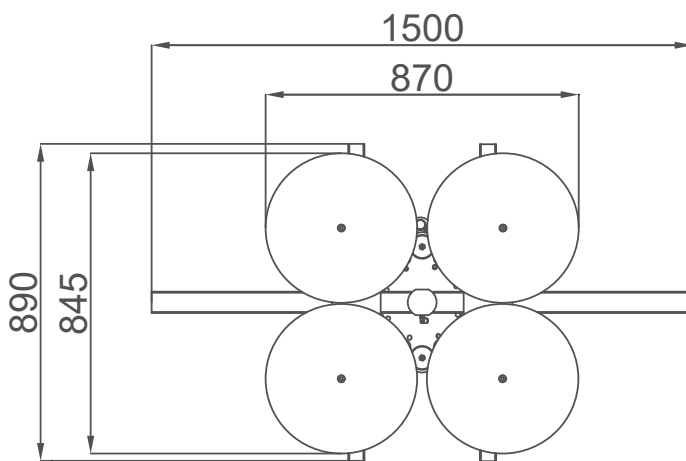
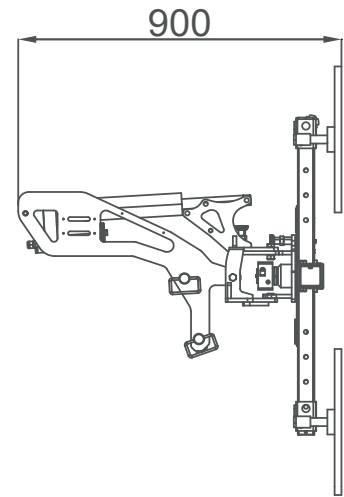
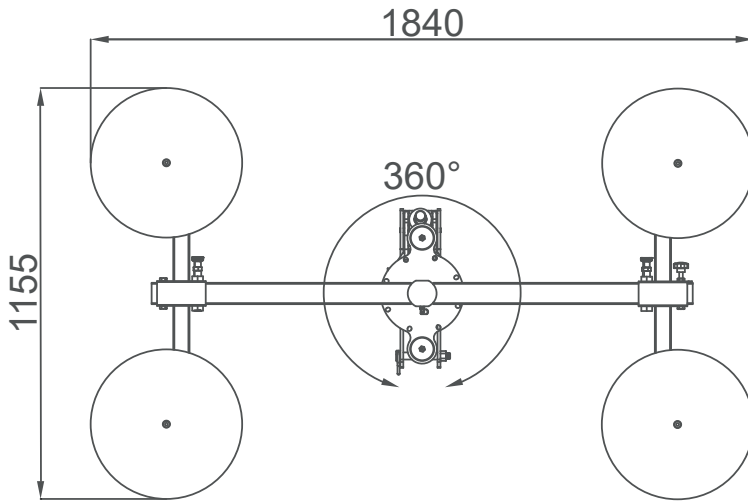
with HOOK



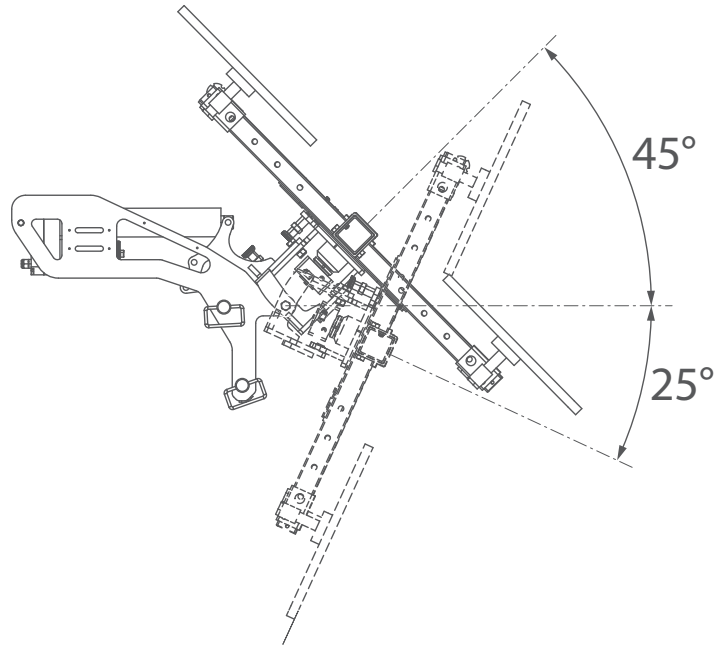
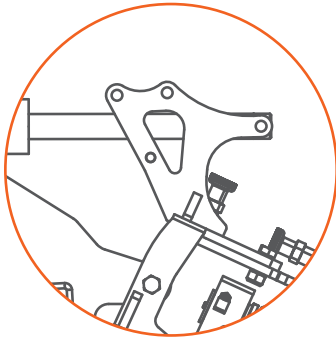
MPK06* - JVM06



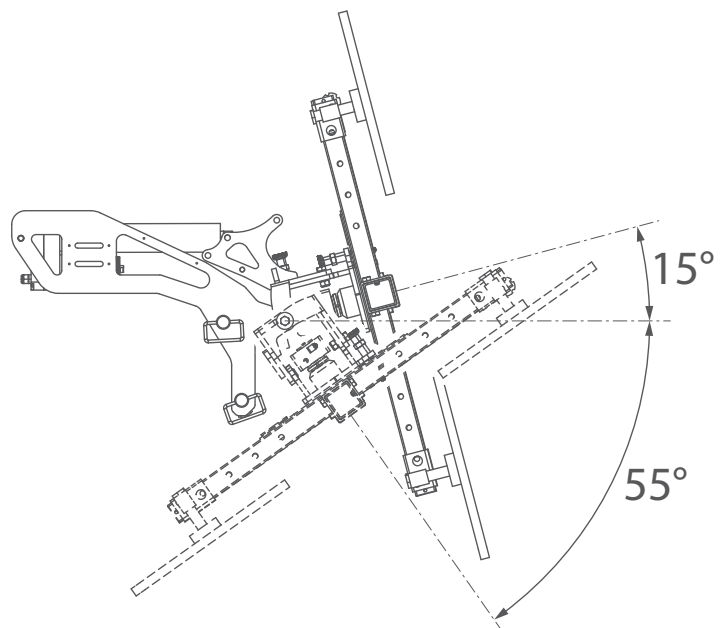
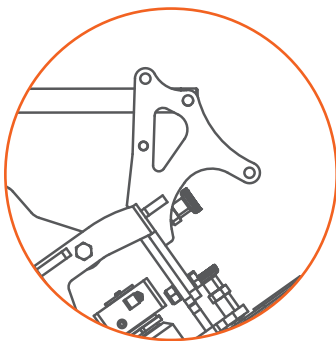
ACCESSORIES FEATURES JVM06



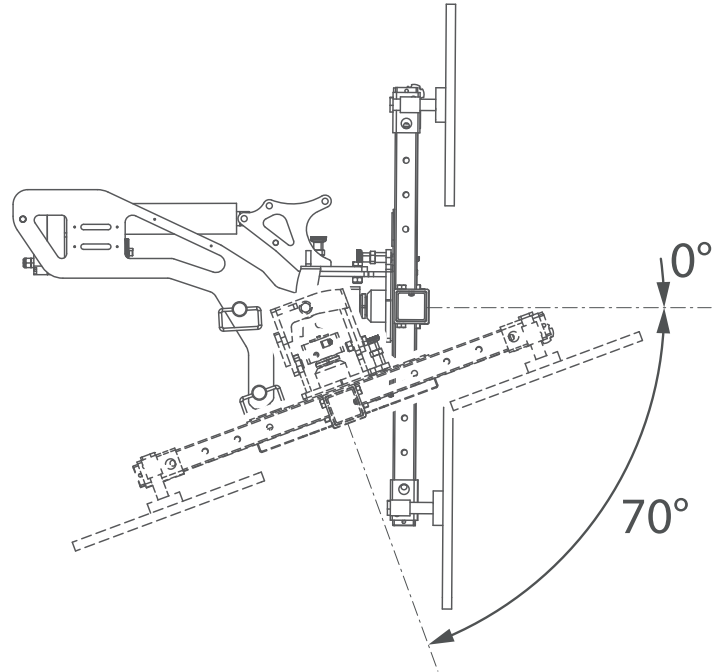
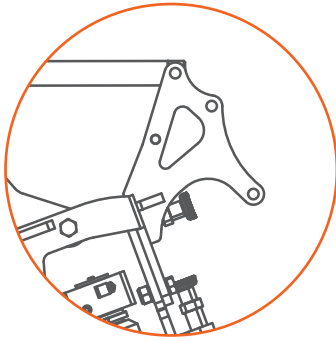
JVM06 CONFIGURATIONS CONFIGURATION 1



CONFIGURATION 2



JVM06 CONFIGURATIONS CONFIGURATION 3



JIBMPK06

